



CUSTOMIZED DESIGN



www.bechpackaging.com

STAGES OF PRODUCTION



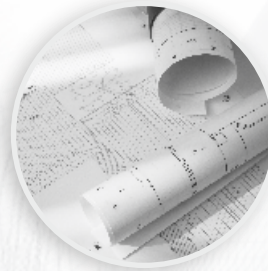
1. ANALYSIS OF CUSTOMER NEEDS AND EXPECTATION



2. PRELIMINARY DESIGN CONCEPT SKETCH



3. CONCEPT OF THE SOLID IN 3D



4. PREPARATION OF TECHNICAL DOCUMENTATION



5. CLIENT'S APPROVAL OF THE TECHNICAL DOCUMENTATION



6. CONSTRUCTION OF A PRODUCTION MOLD



7. MANUFACTURING TEST AND CONFIRMATION OF COMPLIANCE WITH APPROVED TECHNICAL DOCUMENTATION



8. MASS PRODUCTION



9. FINAL PRODUCT

1. ANALYSIS OF CUSTOMER NEEDS AND EXPECTATIONS



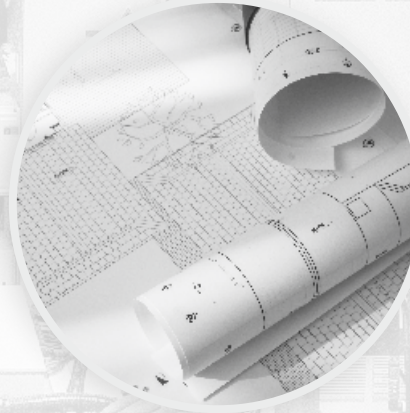
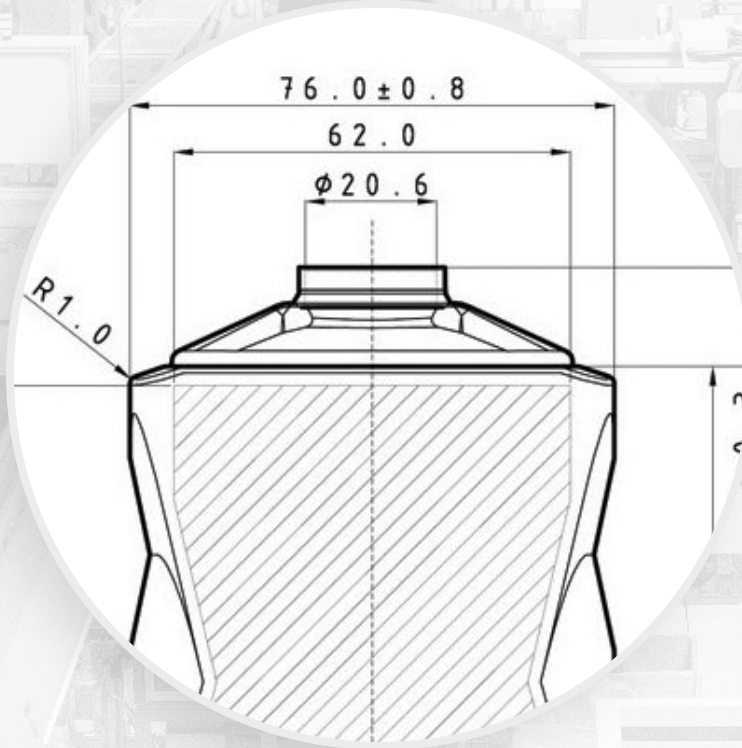
2. PRELIMINARY DESIGN - CONCEPT SKETCH



3. CONCEPT OF THE SOLID IN 3D



4. PREPARATION OF TECHNICAL DOCUMENTATION



5. CLIENT'S APPROVAL OF THE TECHNICAL DOCUMENTATION



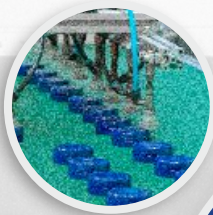
6. CONSTRUCTION OF A PRODUCTION MOLD



7. MANUFACTURING TEST AND CONFIRMATION OF COMPLIANCE WITH APPROVED TECHNICAL DOCUMENTATION



8. MASS PRODUCTION



9. FINAL PRODUCT





b bech
packaging

**CREATION
IS OUR PASSION.**

www.bechpackaging.com